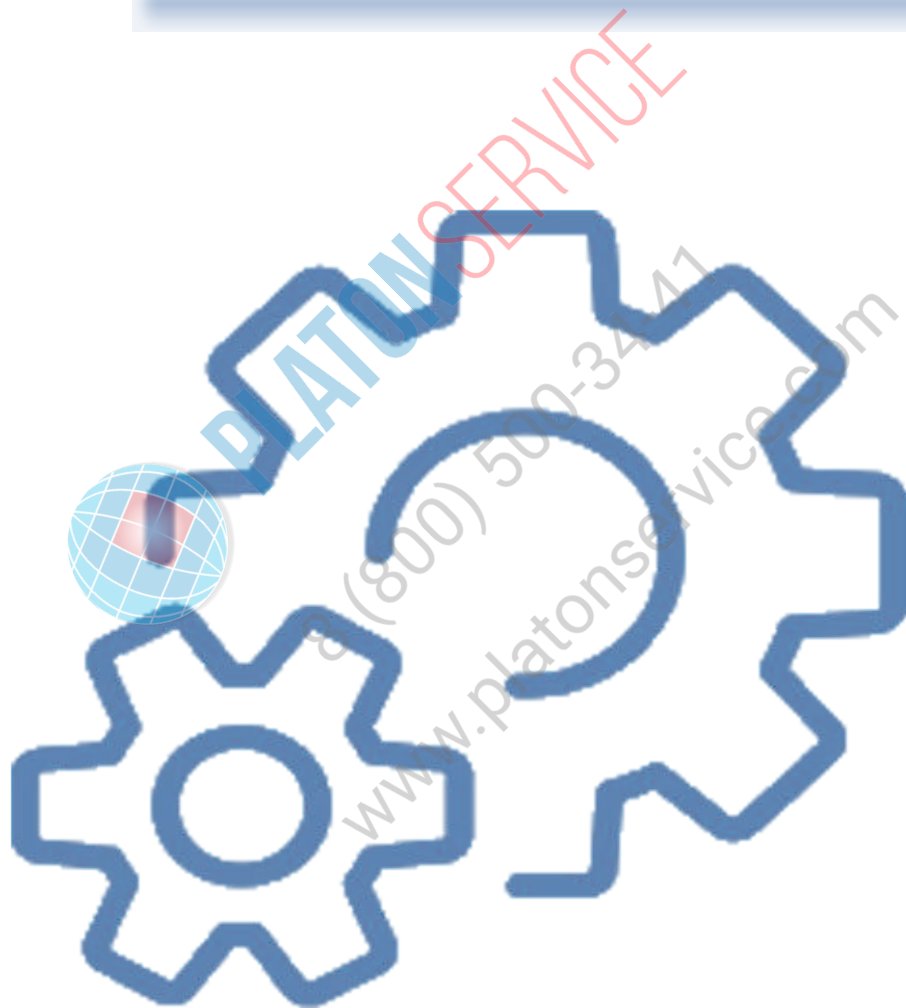
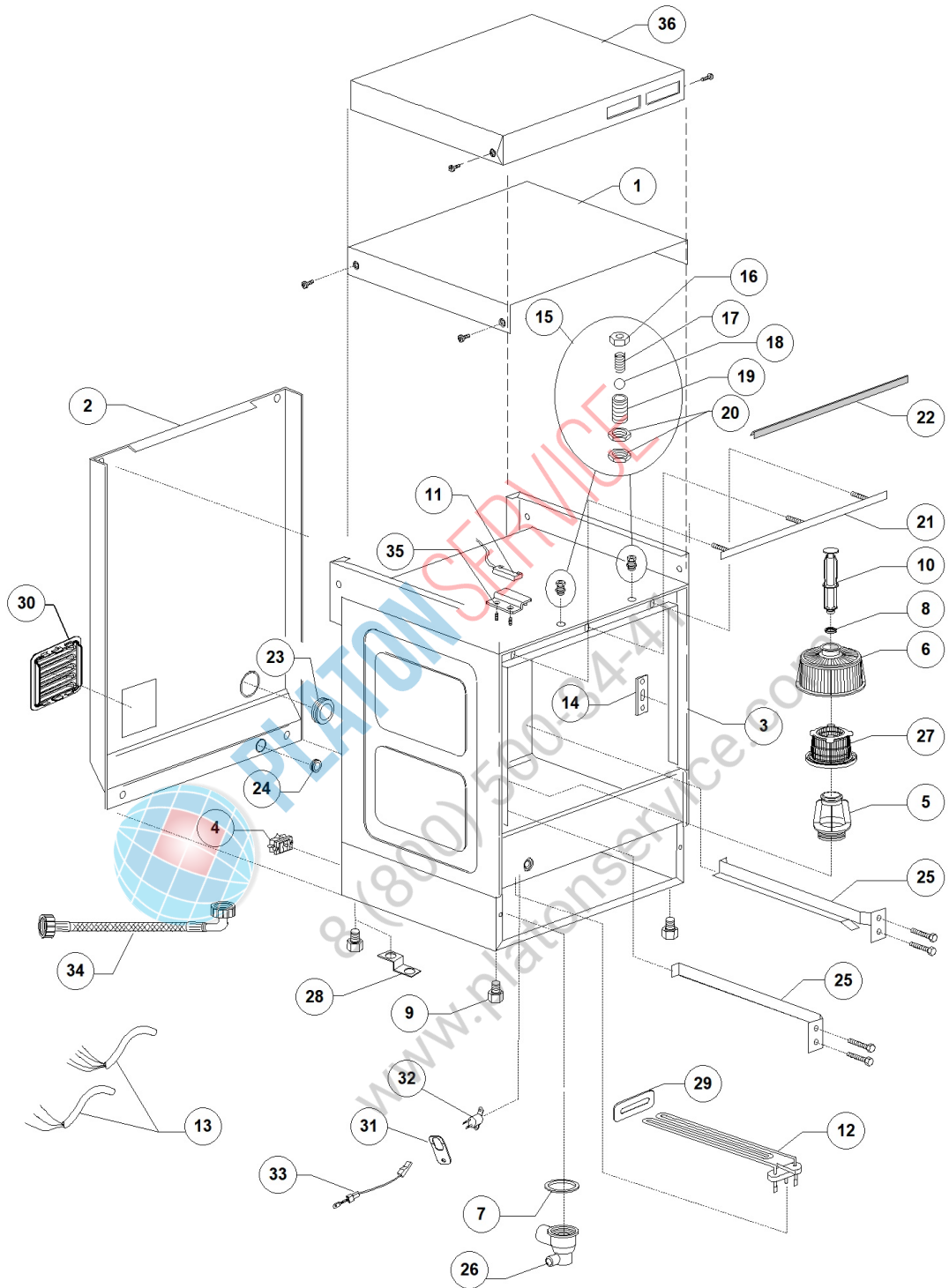


Catalogo ricambi
Spare parts catalog
Catalogue de pièces détachées
Ersatzteilkatalog
Catálogo de repuestos
Catálogo de peças de reposição
каталог запасных частей



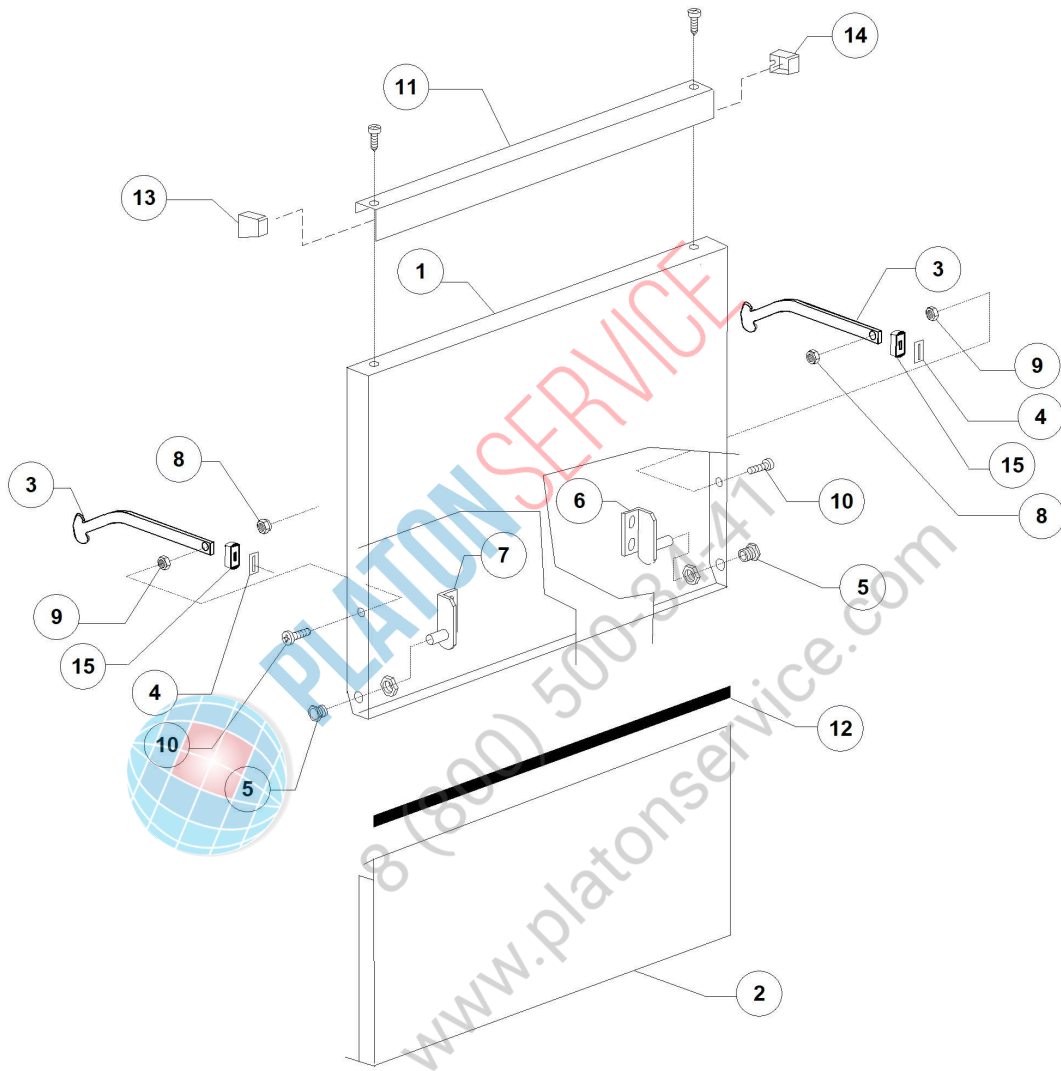
GS50 PS DDE TS 380-400/3N/50 - DWH1018221 - General body parts - DW009M



GS50 PS DDE TS 380-400/3N/50 - DWH1018221 - General body parts - DW009M

Pos.	Code	Descrizione	Description
1	DW500904	COPERCHIO GS50	COVER 50/03
2	DW500909	SCHIENALE GS50 (1x25046)	BACK PANEL (1x25046)
3	DW500900	CARROZZERIA GS50	BODYWORK
4	DW15065/A	FISSACAVO PER VITI AUTOF (NR.2x11007)	CABLE-FASTENER WITH SCREW
5	DW500607	GHIERA INNESTO FILTRI MOD.50 2004	FERRULE FOR FILTER CLUTCH
6	DW500616	FILTRO ASPIR. GS50 GRIGIO	SUCTION FILTER
7	DW80208	GUARNIZIONE RAMPA LP2 DIAM.95X75X3	RISER GASKET D.95X75X3 (MIN. 2 PCS)
8	DW13021	GUARNIZIONE DEM 40 PER TROPPOPP. GS	OVERFLOW PIPE GASKET DEM 40 (MIN. 2 PCS)
9	DW10851	PIEDINO REG. PLASTICA NERO ALTO	ADJUSTABLE FOOT (MINIMUM 4 PCS)
10	DW500618	ASSIEME TROPPO PIENO H187 CON TAPP	OVERFLOW PIPE H187
11	DW10778	MICROCONTATTO MAGNETICO REED	DOOR MICROSWITCH
12	DW150047	RESIST.2700/2940W 230/240V 1	2700/2940W 230/240V 1 HEATING ELEM.
13	DW15118	CAVO ALIMENTAZIONE 5x2,5x2500	CABLE 5x2,5x2500
14	DW150401	GUIDA ASTA CURVA	DOOR ROD SLIDE (MIN. 4 PCS)
15	DW10775	CRICCO PORTA IN OTTONE NIK COMPLETO	DOOR JACK ASSEMBLY
16	DW10802	TAPPO CRICCO PORTA	DOOR JACK LOCKNUT (MIN. 3 PCS)
17	DW10777	MOLLA PER CRICCO PORTA	DOOR JACK SPRING
18	DW10776	SFERA DIAM.9.52 INOX CRICC.PORT.3/8	S/S SPHERE D.9,52 SPRING LATCH 3/8
19	DW10803	CORPO CRICCO PORTA	DOOR JACK BODY
20	DW10801	DADO CRICCO PORTA	DOOR JACK NUT (MIN. 5 PCS)
21	DW150921	ANGOLARE GUARNIZIONE PORTA GS50	PROFILE FOR RUBBER SEAL
22	DW135205	GUARN.PORTA SIL.GRIGIO (PROFILO B.10215)	SILICONE DOOR SEAL
23	DW13317	PASSACAVO D.40 IN GOMMA RB38	RUBBER FAIRLEAD D.40 RB38 (MIN. 2 PCS)
24	DW13323	PASSACAVO IN GOMMA D.13	RUBBER FAIRLEAD D.13 (MIN. 2 PCS)
25	DW500902	CORRENTINO INTERNI GS50 DX/SX	RIGHT/LEFT INTERNAL SLIDE
26	DW500606	POZZETTO CON SCARICO LATERALE DX	RIGHT SIDE SCRAP TRAY
27	DW500600	FILTRO INTERNO CON CESTELLO 2004	INNER FILTER
29	DW250043	PIASTRINA RESISTENZA VASCA	HEATING ELEMENT TANK PLAQUE
34	DW10900001	CANNA CARICO GROSSA M 1,5 EN61770	LOAD PIPE

GS50 PS DDE TS 380-400/3N/50 - DWH1018221 - Door - DW009M



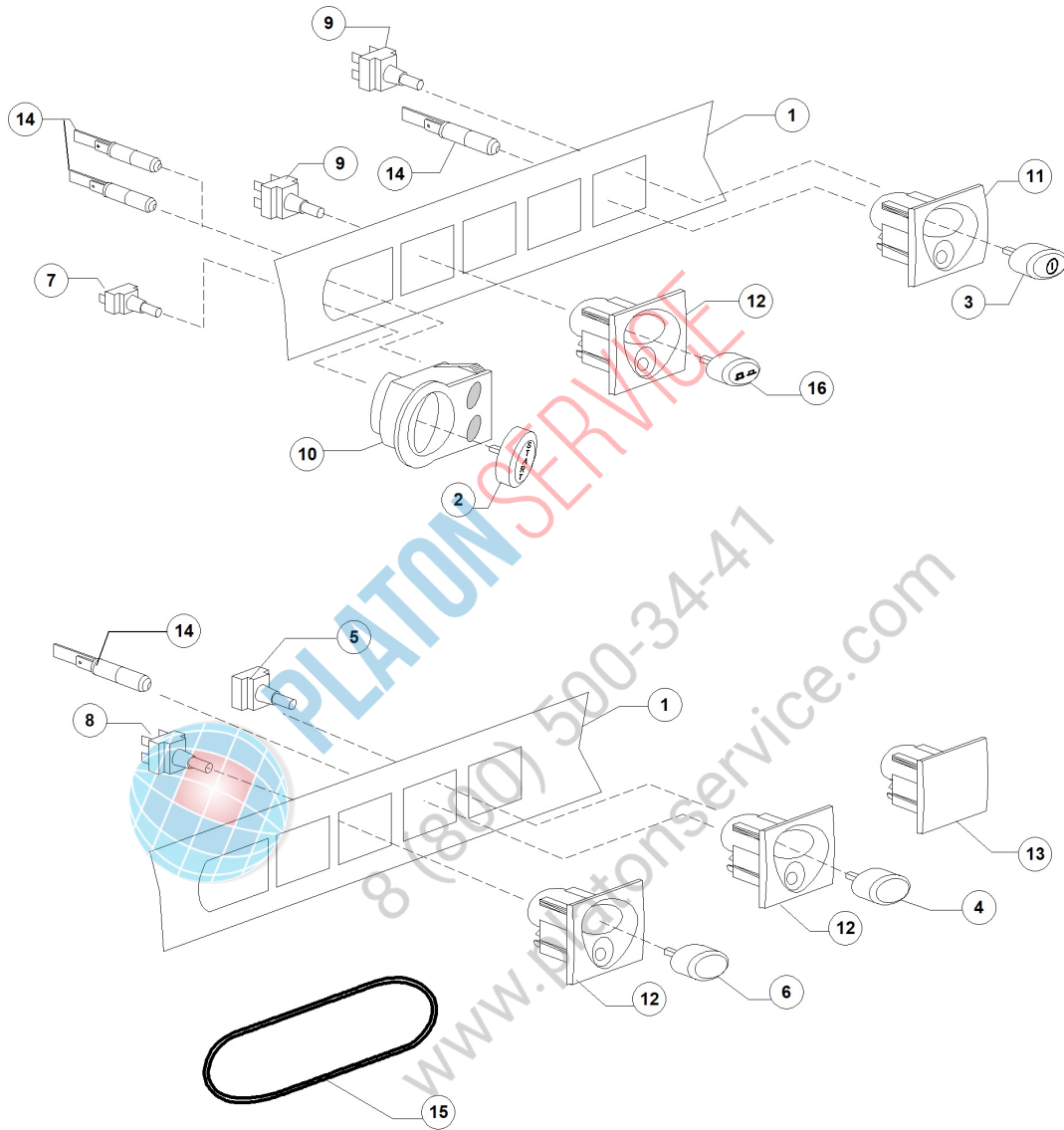
GS50 PS DDE TS 380-400/3N/50 - DWH1018221 - Door - DW009M

Pos.	Code	Descrizione	Description
1	DW500943	PORTA 50/2013 (SENZA MANIGLIA)	DOOR
2	DW500903	SOTTOPORTA GS50	FRONT PANEL
3	DW150221	BRETELLA PER PORTA 50	ARM FOR DOOR
4	DW135222	BATTUTA CERNIERA PORTA K50	DOOR HINGE BLOCK
5	DW11835/A	BOCCOLA IN OTTONE FILETTO COMPLETO	BRASS BUSH
6	DW150210	ASSIEME CERNIERA DX PER PORTA	RIGHT DOOR HINGE
7	DW150211	ASSIEME CERNIERA SX PER PORTA	LEFT DOOR HINGE
8	DW11721	DADO M6 AUTOBL.INOX UNI 7473 DIN982	S/S SELF-LOCKING NUT M6 DIN982 (MIN. 10 PCS)
9	DW11706	DADO M6 INOX UNI5588 DIN934	S/S NUT M6 DIN934 (MIN. 20 PCS)
10	DW11111	VITE M6x16 LARGA TCB 13X3 INOX	M6x16 TCB 13X3 LARGE S/S SCREW (MIN.10 PCS)
11	DW500930	MANIGLIA INOX GS50 VERS.2001 UG	HANDLE
12	DW15750	LEM MOUSSE AUTOEST. 20X2 ADESIVA	SELF-STICK MOUSSE 20X2



PLATON SERVICE
8 (800) 500-34-41
www.platonservice.com

GS50 PS DDE TS 380-400/3N/50 - DWH1018221 - Control panel and switches - DW009M



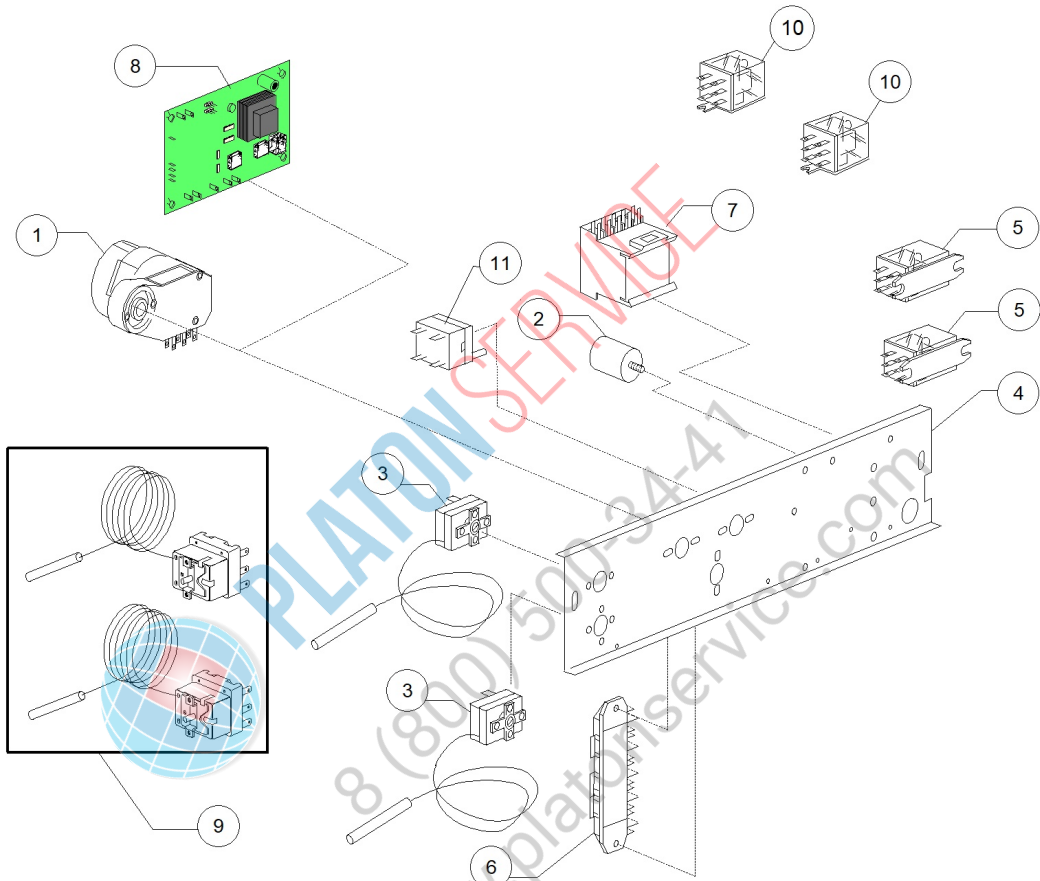
GS50 PS DDE TS 380-400/3N/50 - DWH1018221 - Control panel and switches - DW009M

Pos.	Code	Descrizione	Description
1	DW500931	#PANN.COMANDI GS50 UGOL(500932)	CONTROL PANEL
2	DW89347	TASTO FUNZ.START VERT. UG.	START VERTICAL KEY UGOLINI
3	DW89340	TASTO FUNZ.ON-OFF UG.	ON/OFF KEY UGOLINI
4	DW89343	TASTO FUNZ. P.S. UG.	DRAIN PUMP KEY UGOLINI
5	DW15800	FRUTTO PULSANTE BIPOLARE 16A	16A BIPOLAR SWITCH
5	DW15813	FRUTTO PULSANTE UNIP. 16A	16A UNIPOLAR SWITCH
6	DW89343	TASTO FUNZ. P.S. UG.	DRAIN PUMP KEY UGOLINI
7	DW15813	FRUTTO PULSANTE UNIP. 16A	16A UNIPOLAR SWITCH
8	DW15800	FRUTTO PULSANTE BIPOLARE 16A	16A BIPOLAR SWITCH
9	DW15812	FRUTTO INTERRUETTORE 16A	16A SWITCH
10	DW89301	SUPPORTO TASTO START UG. + VETR.	START PUSH BUTTON SUPPORT UG
11	DW89304	SUPP.TASTO FUNZ. TERMINALE UG.+VETR	SQUARE ON/OFF KEY SUPPORT UG
12	DW89302	"SUPP.TASTO FUNZ."RETTANG" UG.+ VETR"	SQUARE KEY SUPPORT UG
13	DW89303	"SUPPORTO CHIUSO "RETTANG" UG."	RECTANGULAR BLANK KEY
14	DW15826	LAMPADA 220V TRASPARENTE	PILOT LIGHT
15	DW89333	GUARNIZIONE OR D100X1.5 NBR70SH NER	O-RING D.100X1,5 NBR 70 (MIN. 3 PCS)
16	DW89342	"TASTO FUNZ."DUE TEMPI" UG."	TIME SELECTOR KEY UGOLINI



PLATON SERVICE
8 (800) 500-3474
www.platonservice.com

GS50 PS DDE TS 380-400/3N/50 - DWH1018221 - Electric control components - DW009M



GS50 PS DDE TS 380-400/3N/50 - DWH1018221 - Electric control components - DW009M

Pos.	Code	Descrizione	Description
2	DW15149	FILTRO ANTIDIS.F3 (CX0.47MF)	ANTIJAMMING FILTER F3 (CX0.47MF)
3	DW10707/1	TERM.0-90 TR2 C1500+PVC POST.N/ALB	THERMOSTAT 0-90
4	DW500910	PORTACOMPONENTI GS50 400VAC3N	ELECTRIC COMPONENTS PANEL
5	DW15620	RELE BIPOLARE 16A IN DEV.	16A BIPOLAR RELAY IN DEVIATION
6	DW500551	MORSETTIERA 6 POLI KL116/6	TERMINAL BOARD 6 POLES FV122 RED
7	DW15086	TELERUTTORE 230V 50/60Hz 4C AC3(6A)	CONTACTOR 230V 50/60Hz 4C AC3(6A)
8	DW50553	TIMER ELETTRONICO 90-120-180	ELECTRONIC TIMER 90-120-180

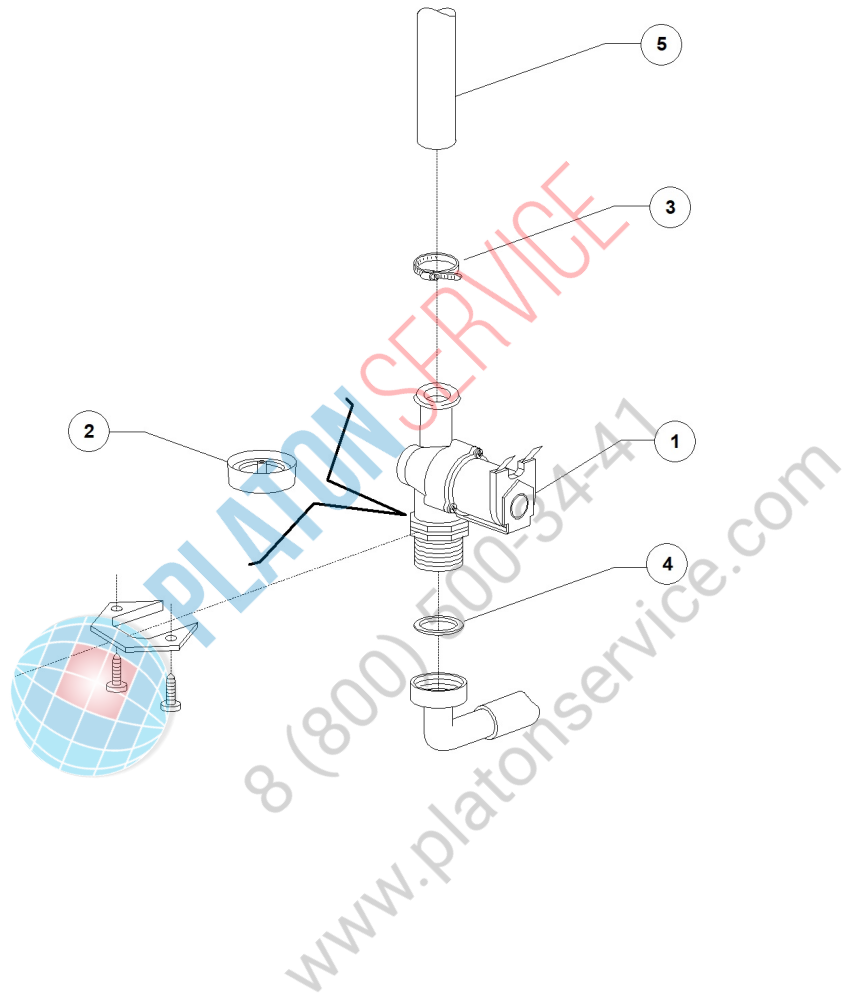


PLATON SERVICE

8 (800) 500-34-41

www.platonservice.com

GS50 PS DDE TS 380-400/3N/50 - DWH1018221 - Solenoid valve group - DW009M



GS50 PS DDE TS 380-400/3N/50 - DWH1018221 - Solenoid valve group - DW009M

Pos.	Code	Descrizione	Description
1	DW10703	ELETTROV. SING. H2O 230V DIS.LS036	SINGLE SOLENOID VALVE H2O 230V
3	DW11807	FASCETTE AISI 430 12/22	CLAMP 12/22 AISI 430 (MIN. 3 PCS)
4	DW13307	GUARNIZ. 3/4 CARICO H2O DIS.LS061	O-RING 3/4 LOAD H2O DIS.LS061
5	DW14506	TUBO GOMMA DIAM 9,5X16 EPDM	9,5X16 EPDM RUBBER PIPE
5	DW2907351	TUBO GOMMA EPDM 11,5X19	11,5X19 EPDM RUBBER PIPE

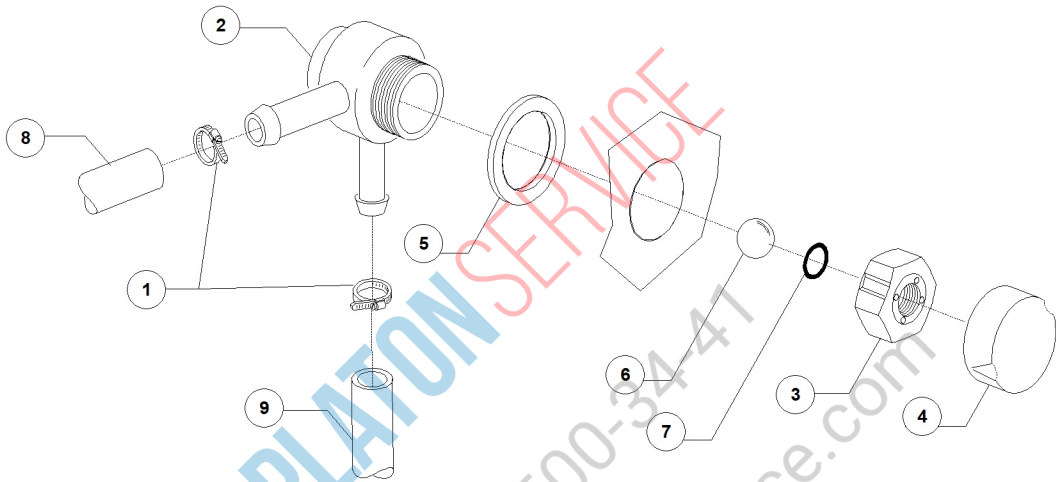


PLATON SERVICE

8 (800) 500-34-41

www.platonservice.com

GS50 PS DDE TS 380-400/3N/50 - DWH1018221 - DVGW valve - DW009M



PLATON SERVICE
8 (800) 500-3441
www.platonservice.com

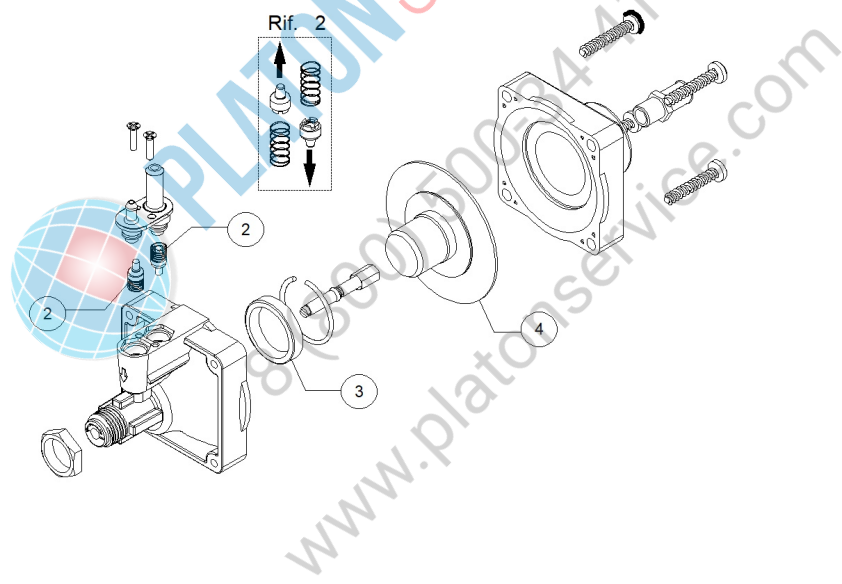
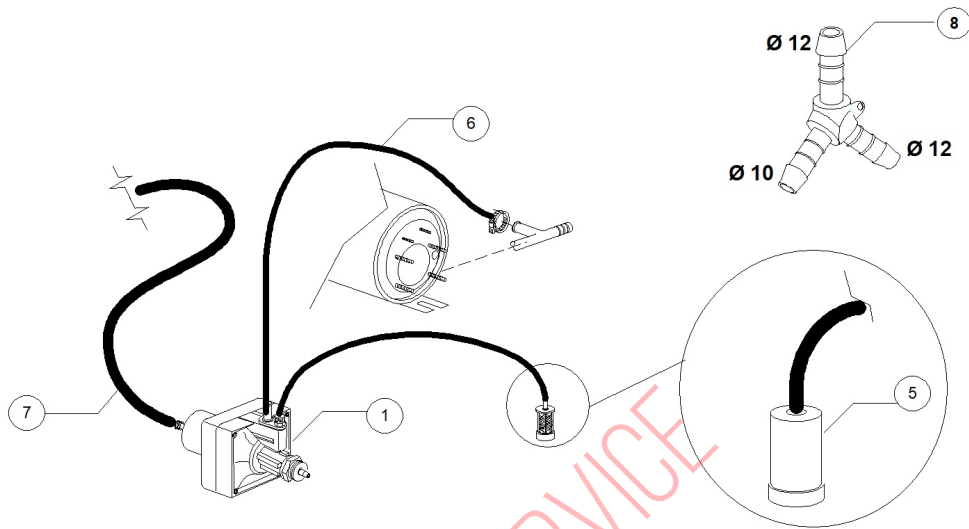
GS50 PS DDE TS 380-400/3N/50 - DWH1018221 - DVGW valve - DW009M

Pos.	Code	Descrizione	Description
1	DW11807	FASCETTE AISI 430 12/22	CLAMP 12/22 AISI 430 (MIN. 3 PCS)
2	DW15280	CORPO CENTRALE VALVOLA DVGW 07	DRAIN VALVE CENTER BODY
3	DW15281	DADO VALVOLA DVGW 07	VALVE NUT
4	DW15282	COPRI DADO VALVOLA DVGW 07	VALVE NUT COVER
5	DW15283	GUARNIZIONE VALVOLA DVGW 07	VALVE GASKET
6	DW15284	"SFERA 5/8" VALVOLA DVGW 07"	5/8" BALL FOR DVGW VALVE 07
7	DW15285	GUARNIZIONE OR 115 KTW VALVOLA DVGW 07	O-RING 115 KTW
8	DW14506	TUBO GOMMA DIAM 9,5X16 EPDM	9,5X16 EPDM RUBBER PIPE
8	DW2907351	TUBO GOMMA EPDM 11,5X19	11,5X19 EPDM RUBBER PIPE
9	DW14506	TUBO GOMMA DIAM 9,5X16 EPDM	9,5X16 EPDM RUBBER PIPE
9	DW2907351	TUBO GOMMA EPDM 11,5X19	11,5X19 EPDM RUBBER PIPE



PLATON SERVICE
8 (800) 500-34-41
www.platonservice.com

GS50 PS DDE TS 380-400/3N/50 - DWH1018221 - Rinse aid dispenser group - DW009M



GS50 PS DDE TS 380-400/3N/50 - DWH1018221 - Rinse aid dispenser group - DW009M

Pos.	Code	Descrizione	Description
1	DW10799	DOSATORE BRILLANTANTE (TECNO PRO)	RINSE AID DOSING PUMP
2	DW10805	VALVOLE+MOLLE(2)DOS.BRILL.TECNOPRO	TECNOPRO NON RETURN VALVE
3	DW10806	GUARNIZIONE D22 DOS.BRILL.TECNOPRO	GASKET D.22
4	DW10807	MEMBRANA X DOSATORE BRILL.TECNOPRO	MEMBRANE
5	DW15058	FILTRINO CON PESO ASPIR. DET/BRIL	SMALL FILTER (MIN. 3 PCS)
6	DW10200293	TUBO EPDM 8X15 PER DOSATORE	8X15 EPDM PIPE
7	DW14506	TUBO GOMMA DIAM 9,5X16 EPDM	9,5X16 EPDM RUBBER PIPE

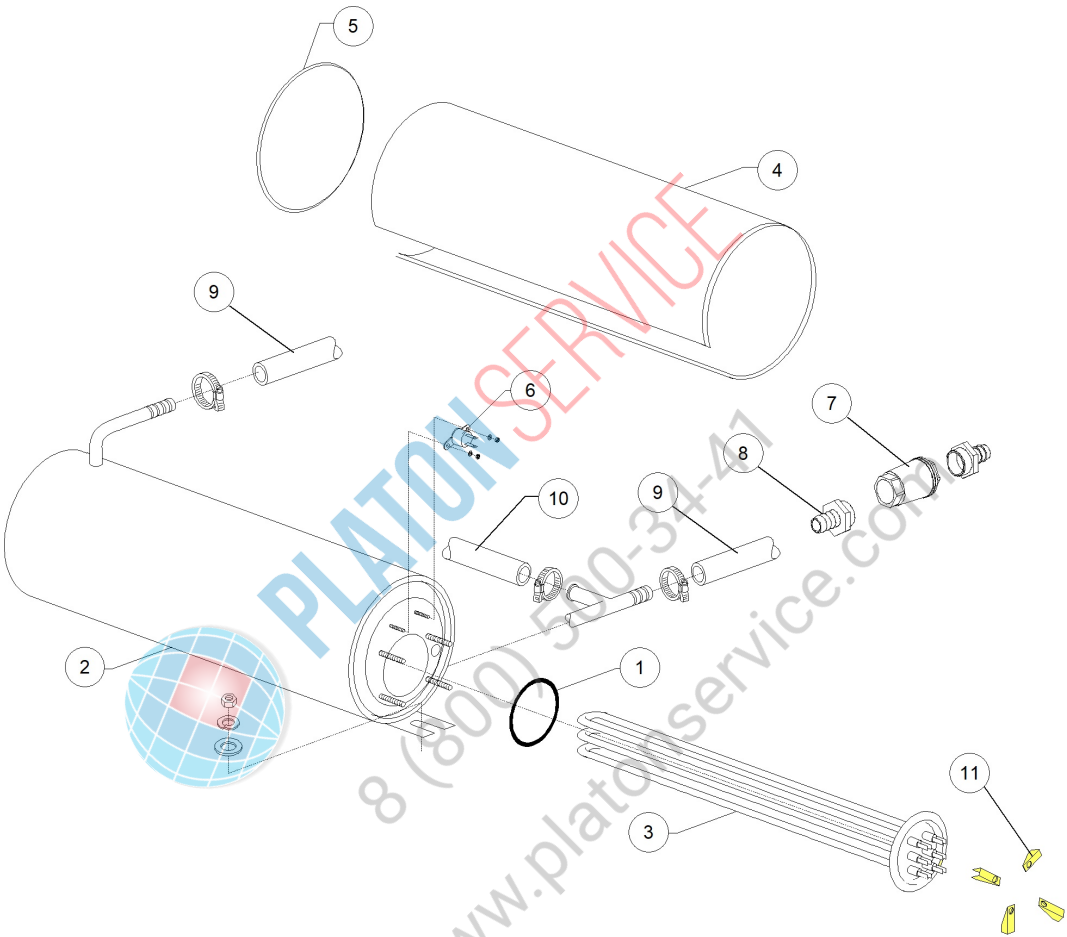


PLATON SERVICE

8 (800) 500-34-41

www.platonservice.com

GS50 PS DDE TS 380-400/3N/50 - DWH1018221 - Boiler group - DW009M



GS50 PS DDE TS 380-400/3N/50 - DWH1018221 - Boiler group - DW009M

Pos.	Code	Descrizione	Description
1	DW13005	GUARNIZIONE OR 151 NBR	O-RING 151 NBR (MIN. 5 PCS)
2	DW150905	"BOILER "SERIE 50" (AISI 304)"	BOILER
3	DW15089	RESIST.4500/4900W 230/240V 3	4500/4900W 230/240V 3 HEATING ELEM.
4	DW15066	COIBENTE PER BOILER G500	BOILER INSULATING G500
5	DW15205	DISCO IN ESPANSOLENE AUTOESTIN. D.138X3	INSULATING DISK D.138
6	DW15550	TERMOSTATO SICUR. CONTATTO KLIXON	SAFETY THERMOSTAT
9	DW2907351	TUBO GOMMA EPDM 11,5X19	11,5X19 EPDM RUBBER PIPE
10	DW10200293	TUBO EPDM 8X15 PER DOSATORE	8X15 EPDM PIPE
11	DW16045	STAFFE FISSAGGIO RESIST.FORO 6.3	HEATING ELEMENT MOUNTING BRACKET D.6,3

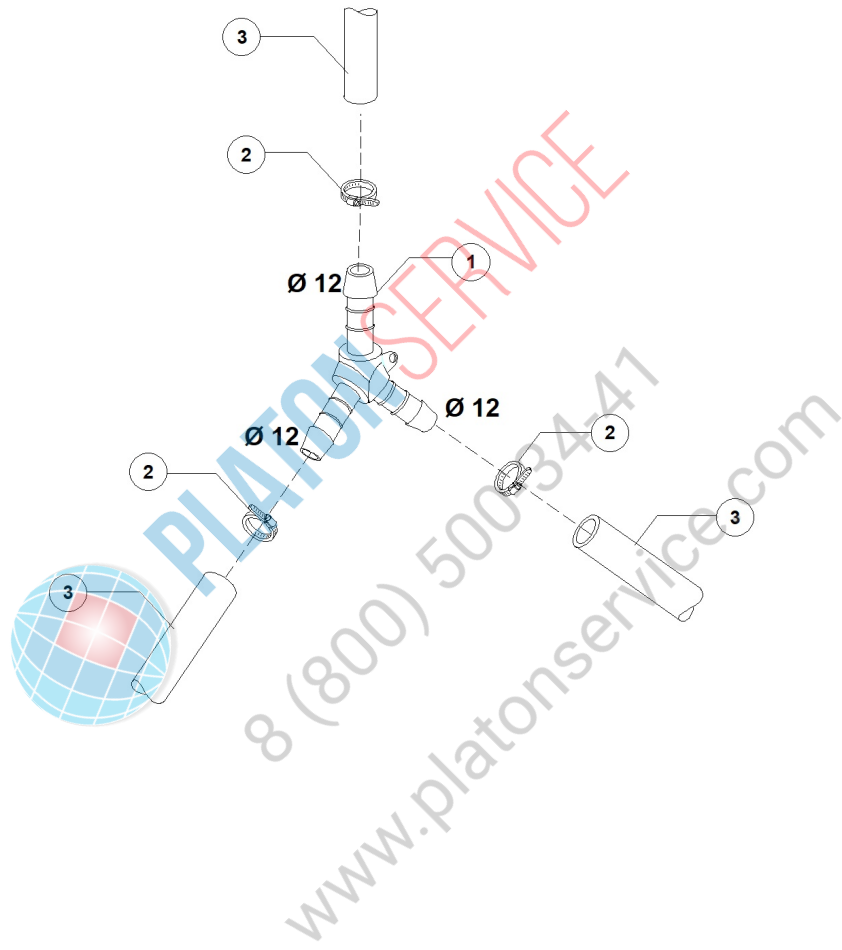


PLATON SERVICE

8 (800) 500-34-41

www.platonservice.com

GS50 PS DDE TS 380-400/3N/50 - DWH1018221 - 3 ways connection - DW009M



GS50 PS DDE TS 380-400/3N/50 - DWH1018221 - 3 ways connection - DW009M

Pos.	Code	Descrizione	Description
1	DW540091	DERIV. 3VIE Y D12 PLASTICA	PLASTIC Y-PIECE D.12
2	DW11807	FASCETTE AISI 430 12/22	CLAMP 12/22 AISI 430 (MIN. 3 PCS)
3	DW2907351	TUBO GOMMA EPDM 11,5X19	11,5X19 EPDM RUBBER PIPE

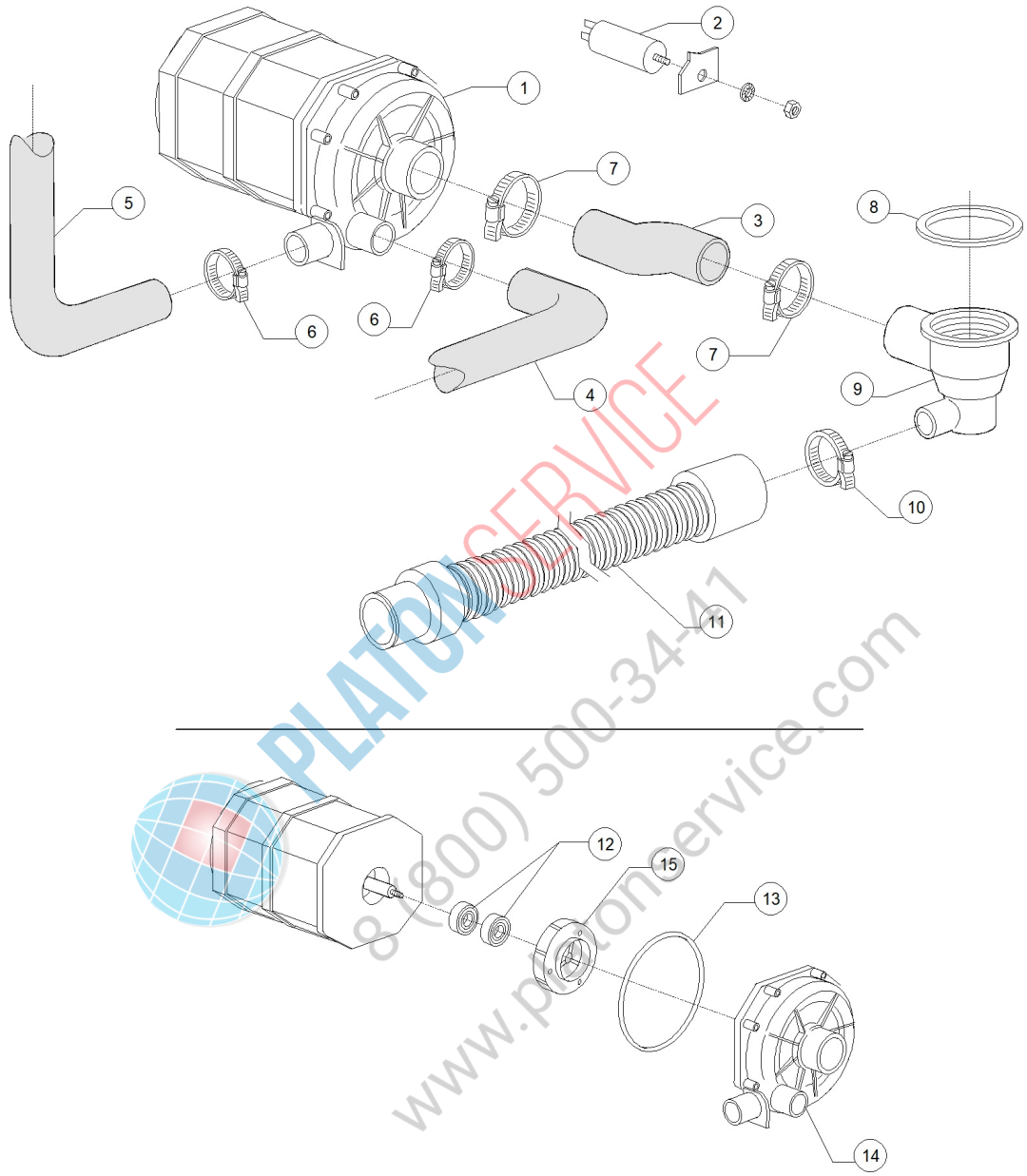


PLATON SERVICE

8 (800) 500-34-41

www.platonservice.com

GS50 PS DDE TS 380-400/3N/50 - DWH1018221 - Wash pump group - DW009M



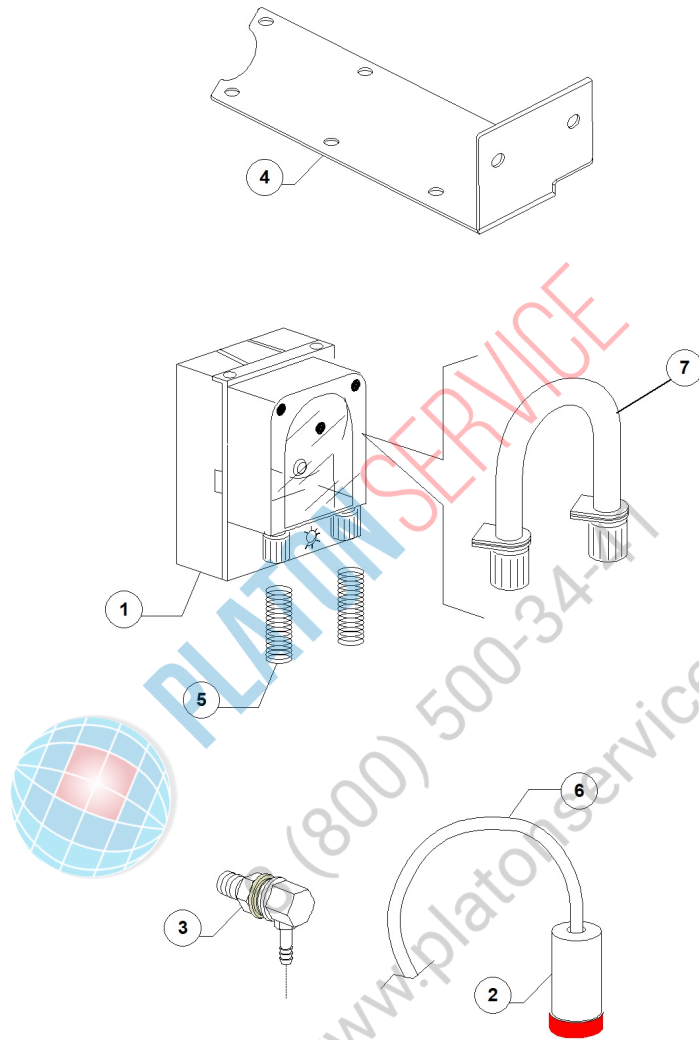
GS50 PS DDE TS 380-400/3N/50 - DWH1018221 - Wash pump group - DW009M

Pos.	Code	Descrizione	Description
1	DW150914	POMPA HP0.7 TIPO 50 230V.50Hz CON F	PUMP HP0.7 230V/50HZ
2	DW15081	CONDENSATORE 12.5 uF.	12,5 UF CONDENSER
3	DW25032/A	MANICOTTO ASPIRAZ.GS50 DIAM.60/50	SUCTION PIPE COUPLING
4	DW150049	MANICOTTO LAV. INF. K50	LOWER WASH PIPE COUPLING
5	DW150048/A	TUBO MANDATA SUP. GS50	TOP DELIVERY PIPE
6	DW11806	FASCETTE AISI 430 25/40	CLAMP 25/40 AISI 430 (MIN. 2 PCS)
7	DW11824	FASCETTA AISI 430 50-70	CLAMP 50/70 AISI 430 (MIN. 2 PCS)
8	DW80208	GUARNIZIONE RAMPA LP2 DIAM.95X75X3	RISER GASKET D.95X75X3 (MIN. 2 PCS)
9	DW500606	POZZETTO CON SCARICO LATERALE DX	RIGHT SIDE SCRAP TRAY
10	DW11807	FASCETTE AISI 430 12/22	CLAMP 12/22 AISI 430 (MIN. 3 PCS)
11	DW10727	CANNA SCARICO mt.1.5 D.24 PICCOLA	DRAIN HOSE
12	DW15080	PREMISTOPA+CONTROFACCIA	ROTATING SEALS
13	DW7130	#GUARNIZIONE OR POMPA	OR PUMP O-RING (MINIMUM 2 PIECES)
14	DW16182	#CHIOCCIOLA POMPA HP0.5 D.50X30	SCROLL
15	DW15079/F	GIRANTE POMPA HP0.70 D.91C. GS50	PUMP ROTOR 0,70HP D.91



PLATON SERVICE
8 (800) 500-34-41
www.platonservice.com

GS50 PS DDE TS 380-400/3N/50 - DWH1018221 - Dosing detergent group - DW009M



GS50 PS DDE TS 380-400/3N/50 - DWH1018221 - Dosing detergent group - DW009M

Pos.	Code	Descrizione	Description
1	DW15985	DOS.ELETT.DET REGOLABILE 0-3LT/H	DETERGENT DOSING PUMP 0-3L/H
2	DW15058	FILTRINO CON PESO ASPIR. DET/BRIL	SMALL FILTER (MIN. 3 PCS)
3	DW15123	INIETTORE DETER. A GOMITO INOX	S/S DOSING PUMP INJECTOR
5	DW10763	MOLLA D.05 INOX PER TUB. D.6x4 PVC	PIPE S/S SPRING
6	DW14503	TUBO PVC DIAM.6x4 TRASPARENTE	D.6X4 PVC TRANSPARENT HOSE
7	DW15108/E	TUBO TERMOPLASTICO DDE GERMAC	GERMAC DISPENSER THERMOPLASTIC HOSE
7	DW15185	TUBO MEMBRANA DDE SEKO DET.	SEKO DISPENSER THERMOPLASTIC HOSE
7	DW15297	TUBO MEMBRANA DDE SEKO 04/2013	SEKO DISPENSER THERMOPLASTIC HOSE
7	DW15297/T	TUBO TERMOPLASTICO DDE TECNOPRO	TECNOPRO DISPENSER THERMOPLASTIC HOSE
7	DW15985/A	#TUBO TERMOPLASTICO DDE MICRODOS	MICRODOS THERMOPLASTIC PIPE

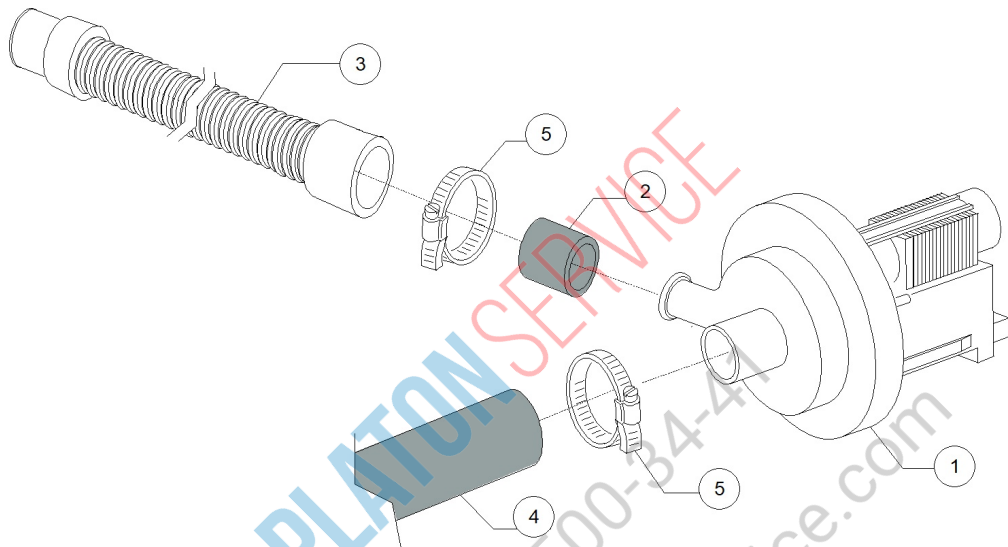


PLATON SERVICE

8 (800) 500-34-41

www.platonservice.com

GS50 PS DDE TS 380-400/3N/50 - DWH1018221 - Drain pump group - DW009M



PLATON SERVICE
8 (800) 500-34-41
www.platonservice.com

GS50 PS DDE TS 380-400/3N/50 - DWH1018221 - Drain pump group - DW009M

Pos.	Code	Descrizione	Description
1	DW15101	POMPA SCARICO SINCR. 220/240V 50Hz	DRAIN PUMP 220-240V/50HZ
2	DW15101/D	MAN.COMP.USCITA PS 28x22 L21	PIPE COUPLING 28X22 L21 (MIN. 3 PCS)
3	DW10727	CANNA SCARICO mt.1.5 D.24 PICCOLA	DRAIN HOSE
4	DW18044	TUBO DIAM.28 EPDM LAV.SUP. STAR	D.28 EPDM PIPE
5	DW11806	FASCETTE AISI 430 25/40	CLAMP 25/40 AISI 430 (MIN. 2 PCS)

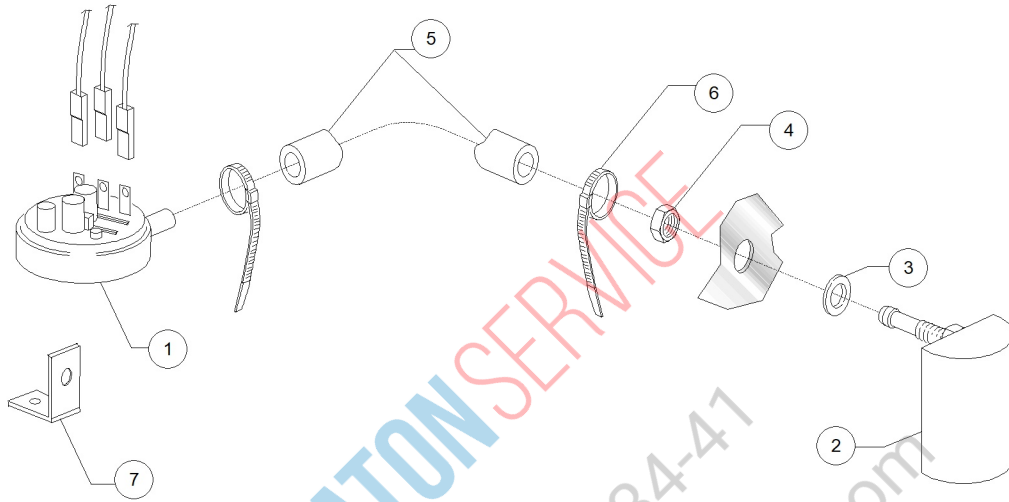


PLATON SERVICE

8 (800) 500-34-41

www.platonservice.com

GS50 PS DDE TS 380-400/3N/50 - DWH1018221 - Pressure switch group - DW009M



PLATON SERVICE
8 (800) 500-34-41
www.platonservice.com

GS50 PS DDE TS 380-400/3N/50 - DWH1018221 - Pressure switch group - DW009M

Pos.	Code	Descrizione	Description
1	DW10706/A	"PRESSOSTATO "EL." 46-26"	PRESSURE SWITCH 46-26
2	DW135911/B	ASSIEME GABBIA D'ARIA GRIGIA L75	GREY AIR TRAP ASSEMBLY L75
3	DW13301	GUARNIZ. IN ROLMART D14x8x1,5	O-RING ROLMART D14X8X1,5 (MIN. 10 PCS)
4	DW11702	DADO M8 INOX UNI5588 DIN934	S/S NUT M8 DIN934 (MIN. 20 PCS)
5	DW14508	TUBO EPDM 4.5X9 PER PRESSOSTATO	EPDM HOSE 4.5X9 (MIN. 2 MT)
6	DW10738	FASCETTA PLASTICA 98X2.5	PLASTIC CLAMP 98X2,5
7	DW135314	STAFFA PRESSOSTATO SERIE K	PRESSURE SWITCH SUPPORT

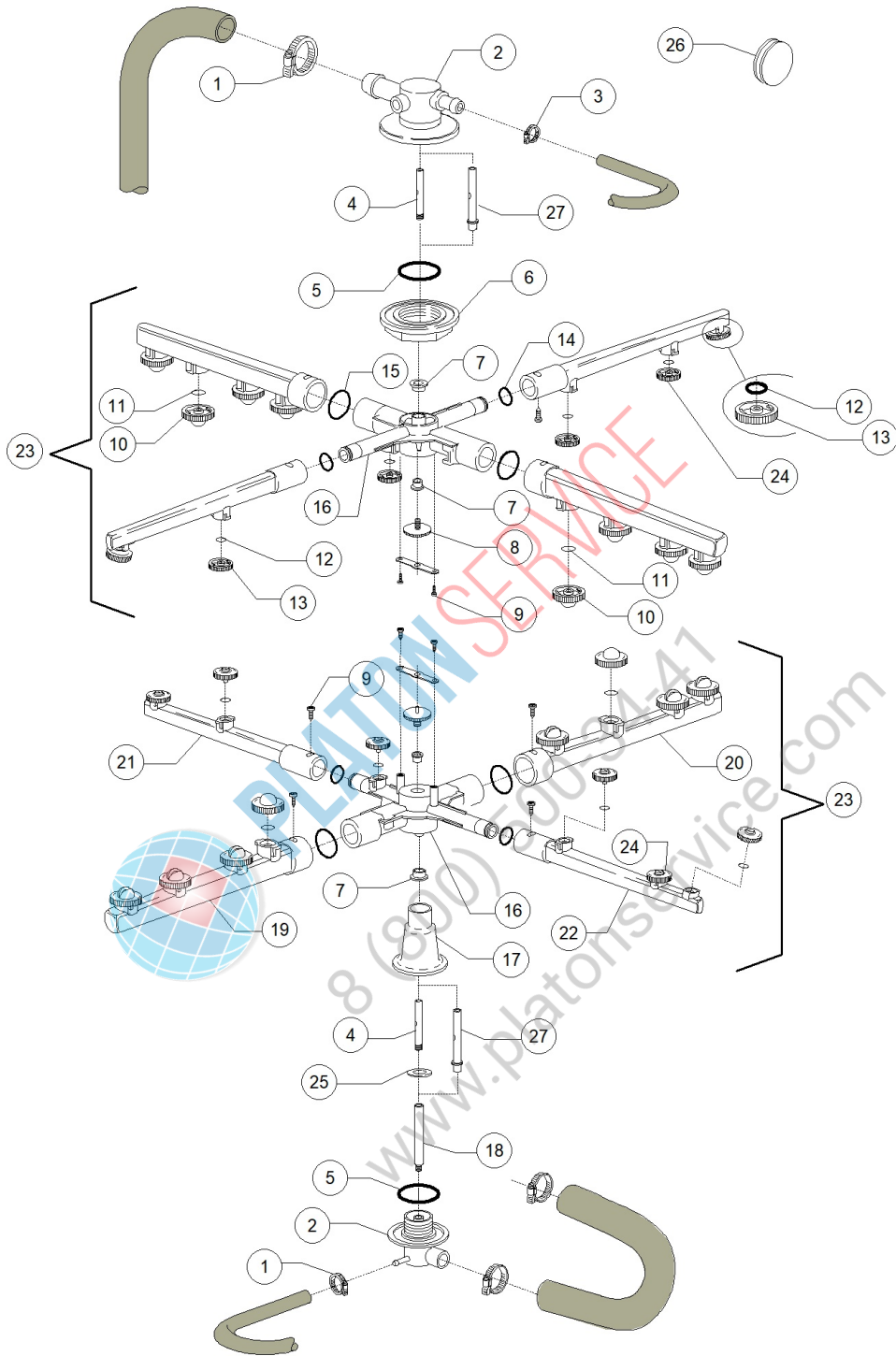


PLATON SERVICE

8 (800) 500-34-41

www.platonservice.com

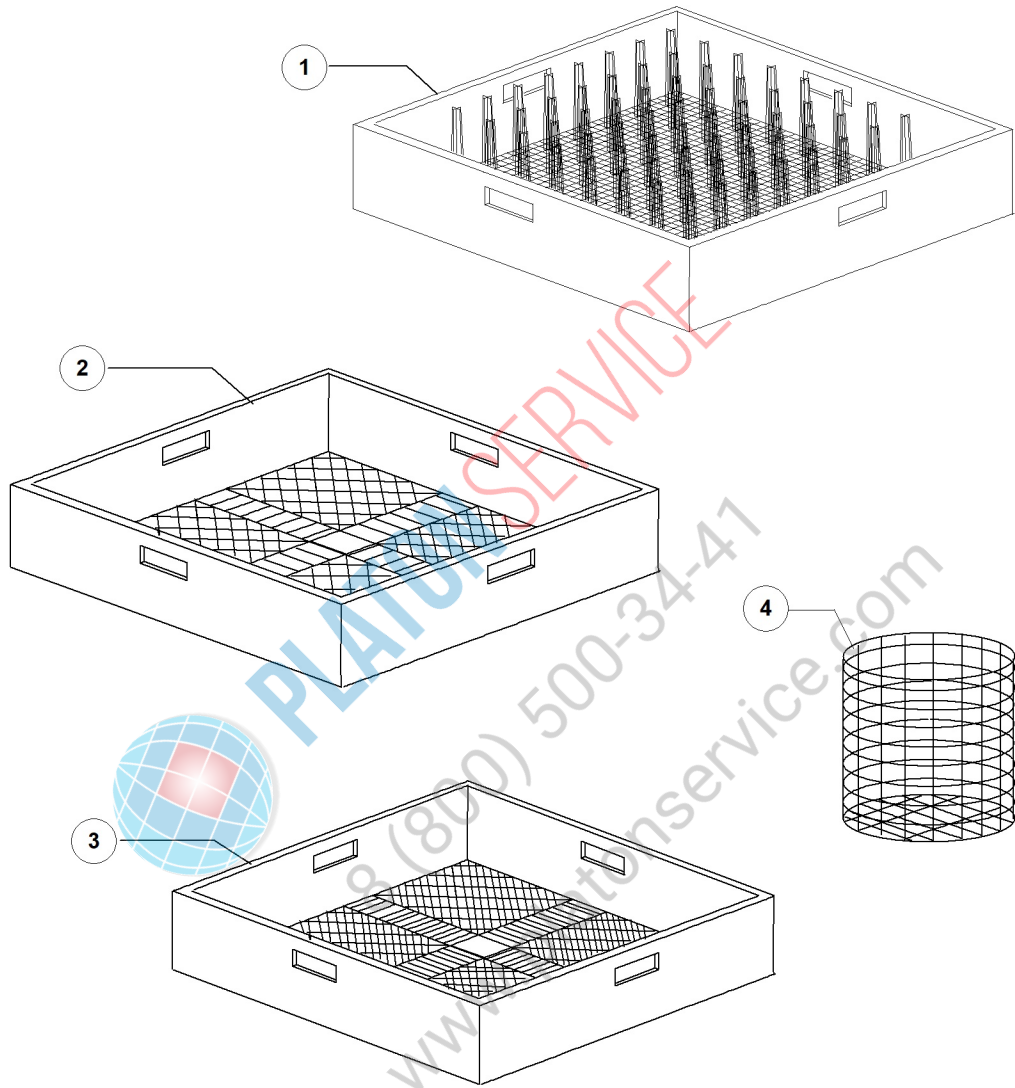
GS50 PS DDE TS 380-400/3N/50 - DWH1018221 - Turret group with rotating arms - DW009M



GS50 PS DDE TS 380-400/3N/50 - DWH1018221 - Turret group with rotating arms - DW009M

Pos.	Code	Descrizione	Description
1	DW11806	FASCETTE AISI 430 25/40	CLAMP 25/40 AISI 430 (MIN. 2 PCS)
2	DW500612	TORRETTA SUP./INF. GS GRIGIO	LOWER / UPPER SUPPORT
3	DW11807	FASCETTE AISI 430 12/22	CLAMP 12/22 AISI 430 (MIN. 3 PCS)
5	DW13015	GUARNIZIONE 6225 OR 160 NBR	6225 O-RING 160 NBR (MIN. 5 PCS)
6	DW500623	GHIERA FISS.TORRETTA TIPO 28 GS GRI	FASTENING RING NUT FOR TURRET
7	DW13319	ROND. SCORRIM. PTFE+CB H11	SLIDING WASHER PTFE+CB H11 (MIN.2 PCS)
8	DW11101/I	VITE FISS. GRUPPI CON PIOLINO INOX	GROUP FASTENING S/S SCREW
9	DW11004	VITE TCB D.8 DENTATA 4X10 SPAX	4X10 TCB D.8 SPAX TOOTHED SCREW
10	DW10369	TESTA UGEL.LAV.95 3,5 GRIGIO (MIN 10)	WASH NOZZLE (BATCH 10PCS)
11	DW13009	GUARNIZIONE OR 2050 NBR	O-RING 2050 NBR (MIN. 40 PCS)
12	DW13002	GUARNIZIONE OR R6 NBR	O-RING R6 NBR (MIN. 10 PCS)
13	DW10371	TESTA UGEL. RISC. 95 APER. GRIG.(MIN 10)	OPENED RINSE NOZZLE (BATCH 10PCS)
14	DW13002	GUARNIZIONE OR R6 NBR	O-RING R6 NBR (MIN. 10 PCS)
15	DW13025	GUARNIZIONE OR 2081	O-RING 2081
16	DW500755	GIR.LAV+RIS.GRIGIO(2X13319)SERIE 06	WASH/RINSE ROTOR (2X13319)
17	DW550225	MANICOTTO INF.GS100 L122mm GRIG	LOWER PIPE COUPLING L122
18	DW550226	#ASSE INF. RISCIAQUO GS50	LOWER RINSE AXLE
19	DW500754	TUBO LAV. SX GRIGIO SERIE 2006	LEFT WASH ARM
20	DW500753	TUBO LAV. DX GRIGIO SERIE 2006	RIGHT WASH ARM
21	DW500751	TUBO RISC. DX GRIGIO SERIE 2006	RIGHT RINSE ARM
22	DW500752	TUBO RISC. SX GRIGIO SERIE 2006	LEFT RINSE ARM
23	DW500750	#GRUPPO LAV+RIS VER. 2006(DARE DW500760)	WASH/RINSE GROUP
24	DW10372	TESTA UGEL.RISC.95 CHIU. GRIGIO (MIN 10)	CLOSED RINSE NOZZLE (BATCH 10PCS)
27	DW15300	#ASSE RISC.INF.-SUP.DIAM.10X51GS-500	LOWER/TOP RINSE AXLE DIAM.10X51GS-500

GS50 PS DDE TS 380-400/3N/50 - DWH1018221 - Baskets - DW009M



GS50 PS DDE TS 380-400/3N/50 - DWH1018221 - Baskets - DW009M

Pos.	Code	Descrizione	Description
1	DWC40	CESTO PIATTI PLASTICA 50X50	PLASTIC PLATES BASKET 500X500
2	DWC44	CESTO BICCHIERI MAGL.LARGA PLASTICA	500X500 LARGE MESH GLASS BASKET
3	DWC41	CESTO POSATE MAG.STRETTA PLASTICA	CUTLERY BASKET - TIGHT MESH (PLASTIC)
4	DW15060	INSERTO CUCCHIAINI GRANDI DIS.G.060	CUTLERY BASKET



PLATON SERVICE

8 (800) 500-34-41

www.platonservice.com



PLATONSERVICE

8 (800) 500-34-47

www.platonservice.com

